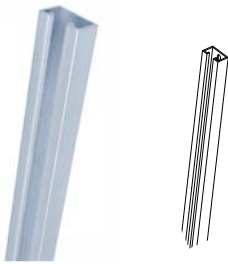


Accessories

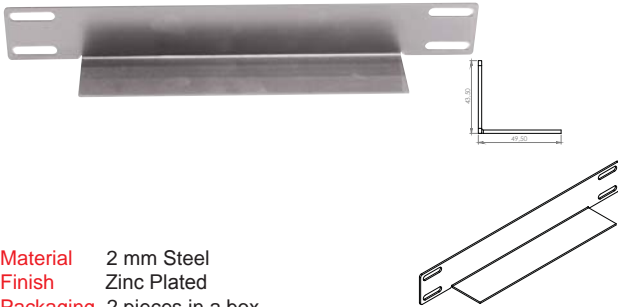
C-Rail



Material Anodized Aluminum Profile
Finish Anodization
Packaging One piece in a box

Length (mm)	H (mm)	W (mm)	Weight kg	Part No
600	20	34	0,30	CCA-0-5037
800	20	34	0,39	CCA-0-5038
1000	20	34	0,49	CCA-0-5039
1200	20	34	0,59	CCA-0-5040

Chassis Rail



Material 2 mm Steel
Finish Zinc Plated
Packaging 2 pieces in a box

Length (mm)	H (mm)	W (mm)	Weight kg	Part No
336	1,9	3,3	0,47	CCA-0-7002
536	1,9	3,3	0,63	CCA-0-7003
736	1,9	3,3	0,79	CCA-0-7004

Baying Kit for inorax-AI Series



Material 2 mm Galvanized Steel
Packaging 4 pieces in a set

H (mm)	D (mm)	W (mm)	Weight kg	Part No
10	66	50	0,055	CPA-0-7001

Earthing Kit



Material Copper **Finish** PVC Jacket **Packaging** One set in a box

Length (mm)	Cross Section	Weight kg	Part No
300	2,5	0,08	CCA-0-7017

Earthing Bar



Material Copper **Finish** PVC Jacket **Packaging** One set in a box

Length (mm)	Cross Section	Weight kg	Part No
490	2,5	0,3	CCA-0-7019

Baying Kit for inorax-ST Series



Material 2 mm Galvanized Steel
Packaging 4 pieces in a set

H (mm)	D (mm)	W (mm)	Weight kg	Part No
23	86	52	0,125	CSA-0-7001

Heavy Duty Castor Set



Material Steel and Plastic ABS **Finish** Zinc Plated
Packaging 2 pcs with stopper and 2 pcs without stopper in a box

Raised Floor H	Set Weight kg	Part No
150 kg / piece	0.77	CCA-0-7016

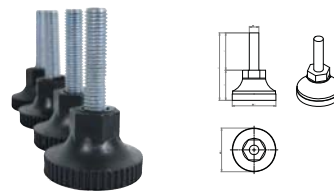
Castor Set



Material Steel and Plastic ABS **Finish** 2 mm Steel
Packaging 4 pcs with stopper in a box

Raised Floor H	Set Weight kg	Part No
75 kg / piece	0.95	CCA-0-7020

Adjustable Feet



Material Steel and Plastic ABS **Finish** Zinc Plated
Packaging 4 pcs with stopper in a box

Raised Floor H	Set Weight kg	Part No
600 kg / piece	0.35	CCA-0-7014